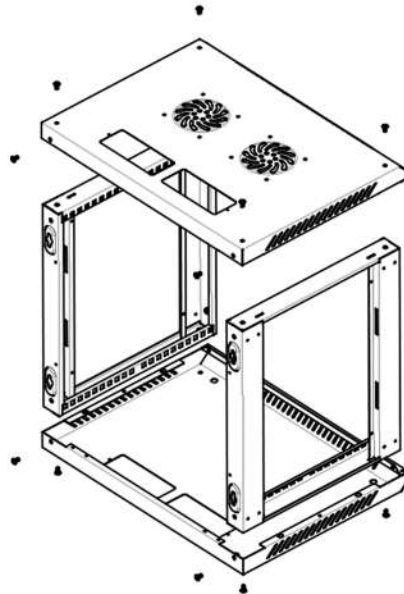


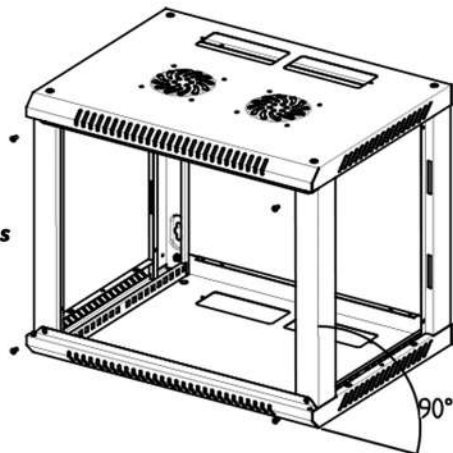
Pats:

- 1. top cover=1pc
- 2. bottom cover=1pc
- 3. left/rtght frame=2pecs
- 4. M6*9 cross-shaped self-tapping screws=12 pcs



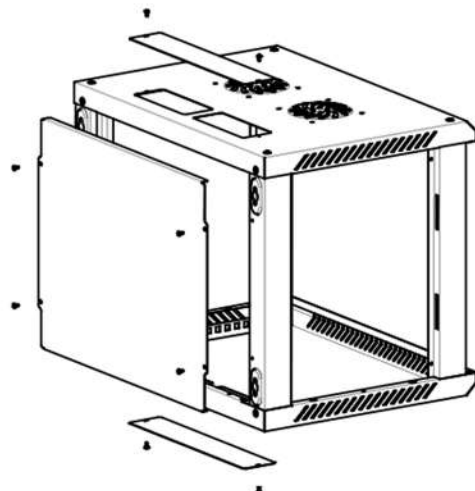
Step 1

adjust the frames and top/bottom covers at 90 degree, then fixed them by M6 cage nuts
Additional kits: M6*9 cross-shaped self-tapping screws=4 pcs



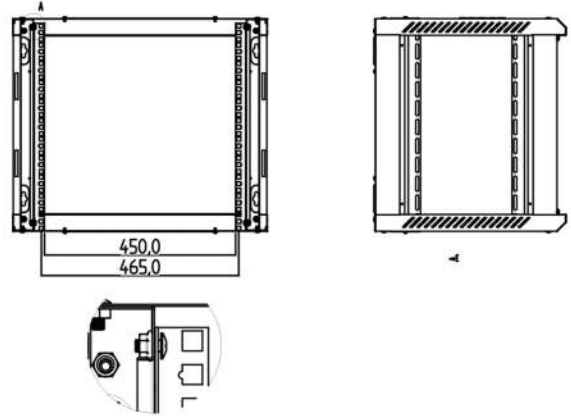
Step 2

fixing top/bottom cable entry panels
Additional kits:
*top/bottom panel=2pcs
*back panel=1pc
*M4*8 cross-shaped self-tapping screws=8pcs



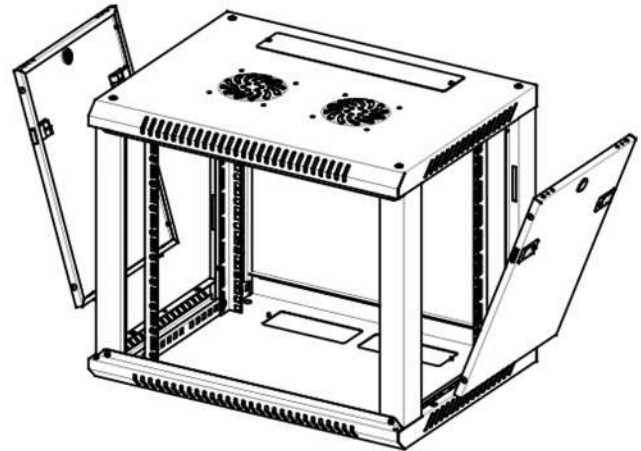
Step 3

fixing 19" rails
Additional kits:
***19" rails=4pcs**
***M5*10 cross-shapped self-tapping screws=8pcs**
***M5 flange nut=8pcs**



Step 4

fixing side panels
Additional kits: side panel=2pcs



Step 5

fixing front door
Additional kits:
***door spindle washer, top side=1pc**
#doorspindle washer, bottom side=1pc
***front door=1pc**

